

## LME-301-#

pyroelectric detector

### Description:

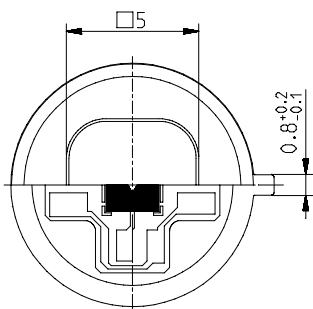
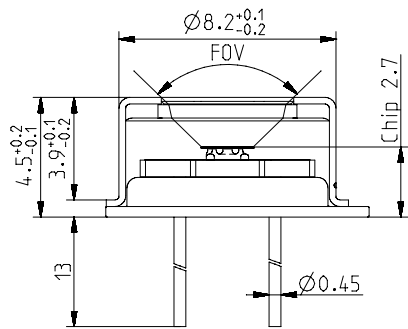
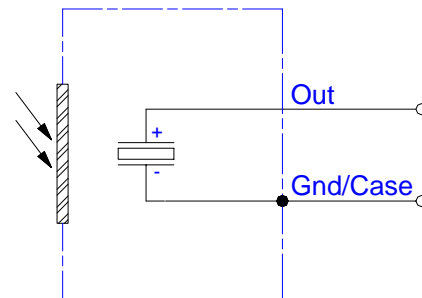
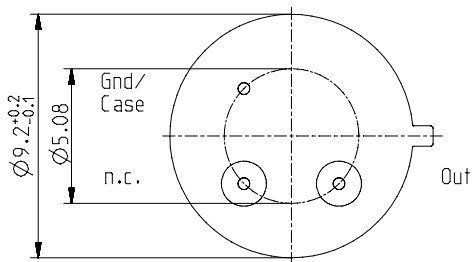
single channel; TO39 housing; medium chip size; low Micro; current mode;



### HOUSING:

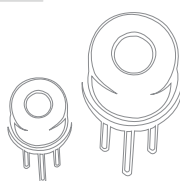
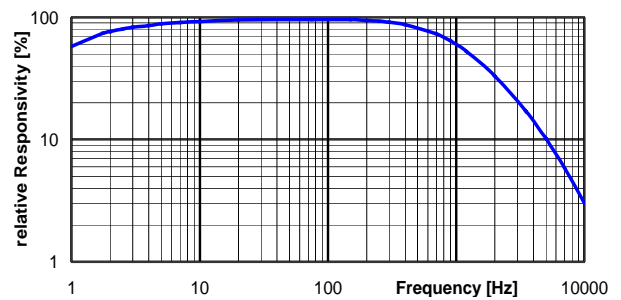
### PIN ASSIGNMENT:

TO39 3Pin  
Bottom view



Top view

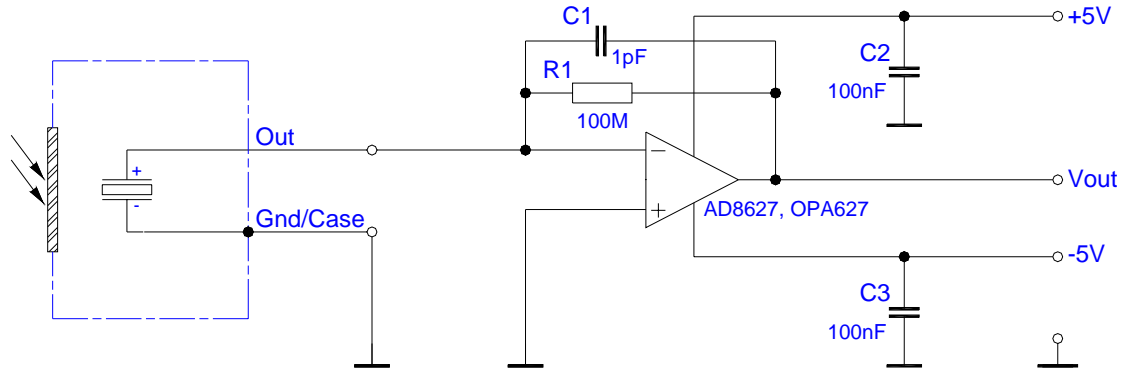
### FREQUENCY RESPONSE:



## LME-301-#

pyroelectric detector

### TEST CIRCUIT:



### PARAMETERS:

Aperture size	nom	5.0 mm sq.
Element size / type	nom	2.0x2.0 mm <sup>2</sup> lithium-tantalate with black layer
Thermal time constant	typ	150 ms
Polarity	nom	positive signal by positive IR flux change
Current responsivity (rms) {500K, 10 Hz, 25 °C, without window}	min	1.6 $\mu$ A/W
Element capacitance {1 kHz, 1 V, 25 °C}	typ	60 pF
Element dielectric loss {1 kHz, 1 V, 25 °C}	max	0.001
Operating / Storage temperature	nom	-25 ... +85°C
IR window		All InfraTec windows and filters are available (except KBr and CsI). Customized filters upon request.
Filter sizes	nom	rectangular filters: (5.25 x 5.25) mm +0/-0.05 mm circular filters: $\varnothing$ 6.5 mm $\pm$ 0.1 mm standard thickness: 0.50 mm +0.2/-0.1 mm thickness range 0.70 ... 1.10 mm on request
Field of View	min	CaF <sub>2</sub> or BaF <sub>2</sub> ; 0.4 mm thick: 80° Silicon substrate; 0.5 mm thick: 90°