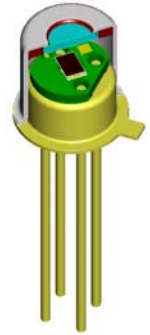


LIE-201-#

pyroelectric detector, small

Description:

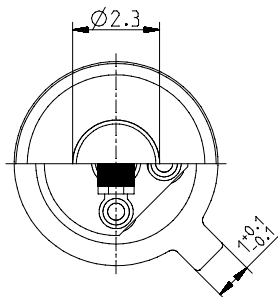
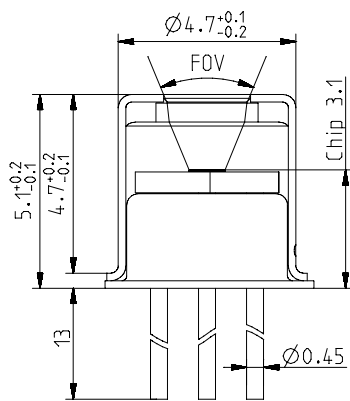
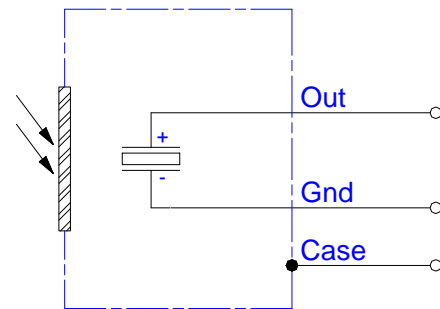
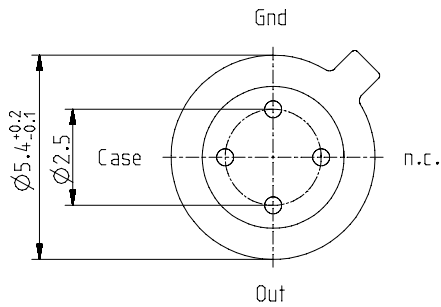
single channel; TO18 housing; small chip size; current mode;



HOUSING:

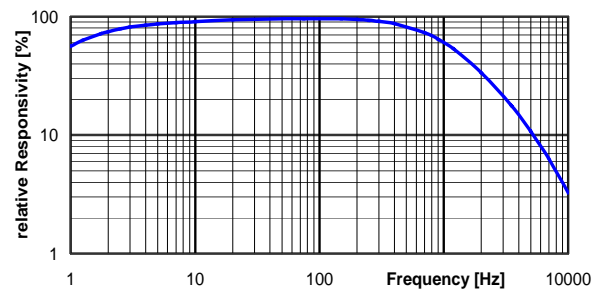
PIN ASSIGNMENT:

TO18 4Pin
Bottom view



Top view

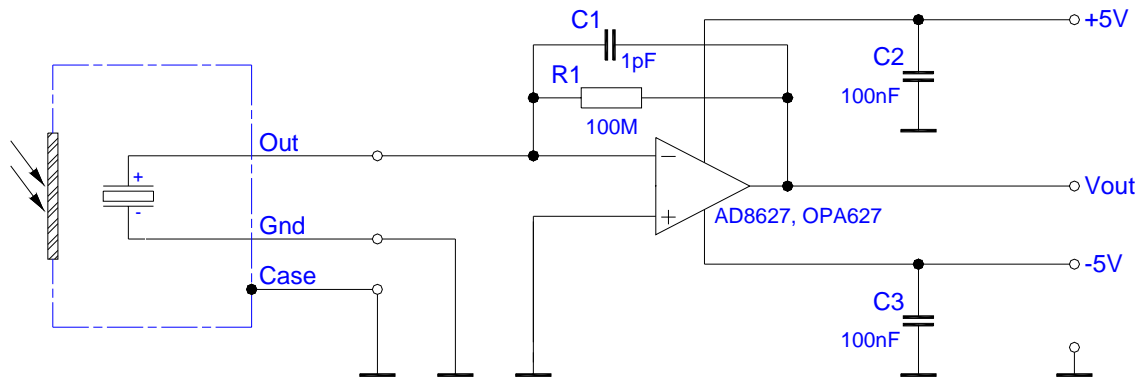
FREQUENCY RESPONSE:



LIE-201-#

pyroelectric detector, small

TEST CIRCUIT:



PARAMETERS:

Aperture size	nom	ø2.3 mm
Element size / type	nom	1.4x1.0 mm ² lithium-tantalate with black layer
Thermal time constant	typ	150 ms
Polarity	nom	positive signal by positive IR flux change
Current responsivity (rms) {500K, 10 Hz, 25 °C, without window}	min	1.6 µA/W
Element capacitance {1 kHz, 1 V, 25 °C}	typ	20 pF
Element dielectric loss {1 kHz, 1 V, 25 °C}	max	0.001
Potential of detector case	nom	selectable potential between -24 ... +24V to Ground {EMC requires low-impedance coupling}
Operating / Storage temperature	nom	-25 ... +85°C
IR window		All InfraTec windows and filters are available (except KBr and CsI). Customized filters upon request.
Filter sizes	nom	rectangular filters: (2.70 x 2.70) mm +0/-0.05 mm circular filters: ø3.3 mm ±0.1 mm standard thickness: 0.50 mm +0.2/-0.1 mm thickness range 0.70 ... 1.10 mm on request
Field of View	min	CaF ₂ or BaF ₂ ; 0.4 mm thick: 40° Silicon substrate; 0.5 mm thick: 45°